

Filter Tap Coupler



Features

High Return Loss

Low PDL

Low Cost

Applications

Telecommunications

Optical Amplifier

Fiber Lasers

Testing Systems

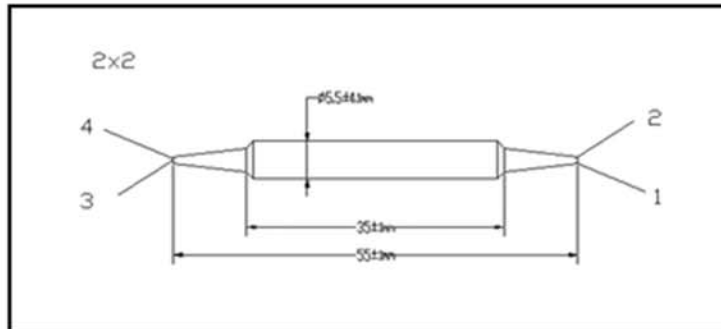
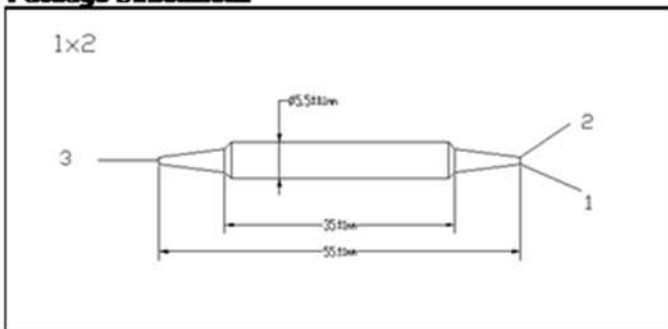
Specifications

Parameters	Unit	Values	
Center Wavelength	nm	1064	
Operating Wavelength Range	nm	±40	
Type		1x2	2x2
Max. Excess Loss	dB	0.8	1.1
Max. Uniformity (only for 50/50)	dB	0.6	0.7
Tap Ratio (Port 2/4)	%	5±1.0%, 50% or Specify	
Min. Return Loss	dB	50	
Max. PDL	dB	0.1	
Max. Optical Power (CW)	mW	300	
Max. Tensile Load	N	5	
Fiber Type		HI 1060 fiber	
Operating Temperature	°C	-5 to +70	
Storage Temperature	°C	-40 to +85	

* Above specifications are for devices without the connectors.

* For devices with connectors, IL will be 0.3dB higher, RL will be 5dB lower.

Package Dimensions



Ordering Information

SMFC-①①-②-③③-④④④④-⑤⑤⑤⑤-⑥

①①: Wavelength

06 - 1064nm

SS - Specify

②: Port

1 - 1x2

2 - 2x2

③③: Coupling Ratio

05 - 5/95

50 - 50/50

SS - Specify

④④④④: Connector Type on Port 1, 2, 3 & 4

1 - FC/UPC

2 - FC/APC

3 - SC/UPC

4 - SC/APC

N - None

S - Specify

⑤: Fiber Length

1 - 1.0m

S - Specify

⑤⑤⑤⑤: Fiber Jacket on Port 1, 2, 3 & 4

B - 250um Fiber

L - 900um Loose Tube

S - Specify