

# Filter Tap Coupler



## Features

High Return Loss

**Low PDL**

Low Cost

## Applications

Telecommunications

Optical Amplifier

Fiber Lasers

Testing Systems

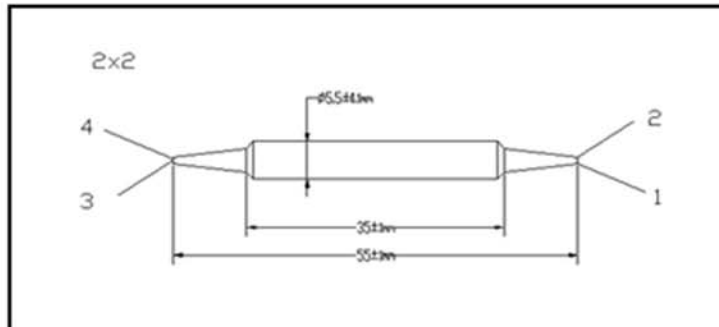
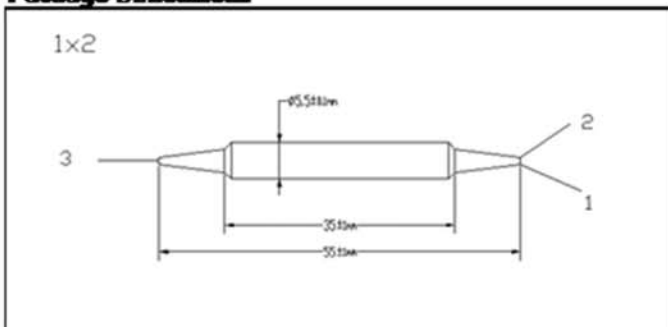
## Specifications

Parameters	Unit	Values	
Center Wavelength	nm	1030	
Operating Wavelength Range	nm	±40	
Type		1x2	2x2
Max. Excess Loss	dB	0.9	1.2
Max. Uniformity (only for 50/50)	dB	0.7	0.8
Tap Ratio (Port 2/4)	%	5±1.0%, 50% or Specify	
Min. Return Loss	dB	50	
Max. PDL	dB	0.1	
Max. Optical Power (CW)	mW	300	
Max. Tensile Load	N	5	
Fiber Type		HI 1060 fiber	
Operating Temperature	°C	-5 to +70	
Storage Temperature	°C	-40 to +85	

\* Above specifications are for devices without the connectors.

\* For devices with connectors, IL will be 0.3dB higher, RL will be 5dB lower.

## Package Dimensions



## Ordering Information

SMFC-①①-②-③③-④④④④-⑤⑤⑤⑤-⑥

①①: Wavelength

03 - 1030nm

SS - Specify

②: Port

1 - 1x2

2 - 2x2

④④④④: Connector Type on Port 1, 2, 3 & 4

1 - FC/UPC

2 - FC/APC

3 - SC/UPC

4 - SC/APC

N - None

S - Specify

⑥: Fiber Length

1 - 1.0m

S - Specify

③③: Coupling Ratio

05 - 5/95

50 - 50/50

SS - Specify

⑤⑤⑤⑤: Fiber Jacket on Port 1, 2, 3 & 4

B - 250um Fiber

L - 900um Loose Tube

S - Specify