

1550 nm High Power Collimated Beam Output Isolator



Features

High Isolation and High Power Handling
 Low PDL
 High Return loss
 Low Insertion Loss
 Excellent Environmental Stability and Reliability

Applications

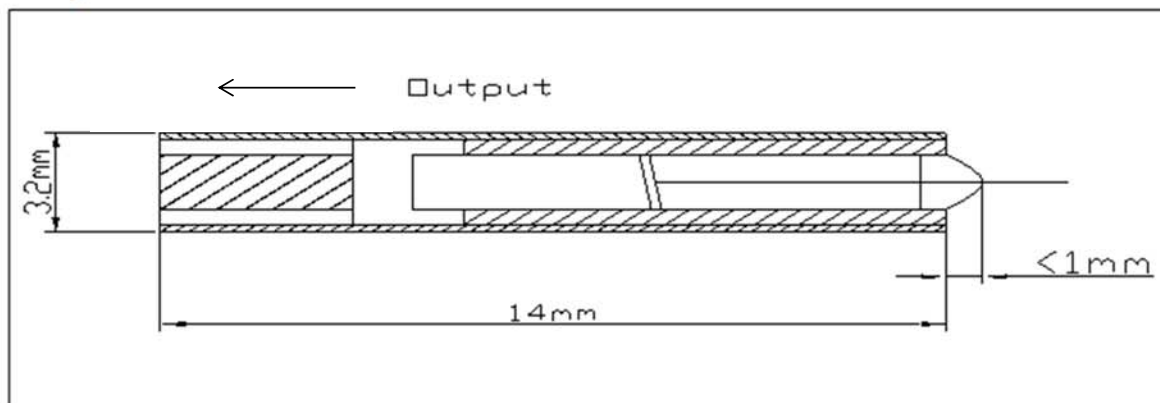
Fiber Amplifiers
 Fiber Lasers
 Lab Research

Specifications

Parameters	Unit	Values	
Center Wavelength	nm	1550	
Operating Wavelength Range	nm	±20	
Stage		Single Stage	Dual Stage
Typ. Peak Isolation	dB	40	55
Min. Isolation at 23°C	dB	28	45
Max. PMD*	ps	0.25	0.1
Min. Transmission Ratio over 1550+/-20nm	--	92.0%	
Nominal Output Beam Diameter(1/e ²)	mm	0.45(@ 20mm)	
Max. PDL at 23°C	dB	0.1	
Min. Return Loss	dB	50	
Max. Optical Power (CW)	W	1, 3, 5, 10	
Max. Tensile Load	N	5	
Fiber Type		SMF-28e Fiber	
Operating Temperature	°C	-5 to + 50	
Storage Temperature	°C	-40 to +85	

*PMD < 0.05ps is available on a custom basis. Please inquire.

Package Dimensions



Ordering Information

HPICL-①①-②②-③④-⑤⑥

①①: Wavelength
 55 - 1550nm
 SS - Specify

③: Axis Alignment
 B - Both Axis Working

⑤: Fiber Jacket on Port
 L - 900um Loose Tube
 S - Specify

②②: Handling Power
 01 - 1 W
 03 - 3 W
 05 - 5 W
 10 - 10 W

④: Output Beam Diameter
 0.4 - 0.48mm
 SS - Specify

⑥: Fiber Length
 1 - 1m
 S - Specify