

Polarization Insensitive Isolator



Features

Optical Path Epoxy-free Design
High Performance
High Reliability
Low Cost

Applications

EDFAs
Raman Amplifiers
DWDM Systems
Fiber Lasers

Specifications

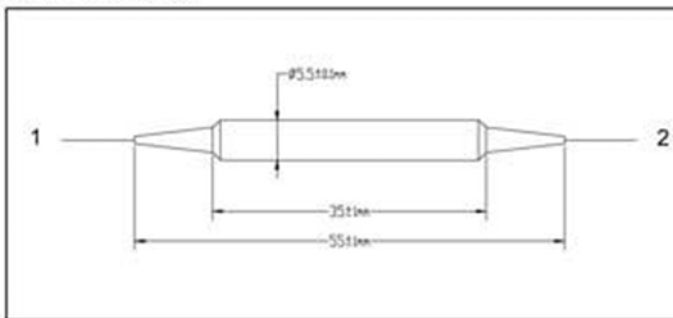
Parameters	Unit	Values			
		Single Stage		Dual Stage	
Grade		Grade P	Grade A	Grade P	Grade A
Center Wavelength	nm	1310, 1480 or 1550			
Operating Wavelength Range	nm	±20			
Typ. Peak Isolation	dB	42	40	58	55
Min. Isolation at 23°C	dB	28	26	48	45
Typ. Insertion Loss at 23°C	dB	0.35	0.4	0.4	0.6
Max. Insertion Loss at -5°C/+70°C	dB	0.5	0.7	0.55	0.9
Min. Return Loss (Input/Output)	dB	60 / 55	60 / 55	60 / 55	60 / 55
Max. PDL at 23°C	dB	0.05	0.1	0.05	0.15
Max. PMD	ps	0.2 ¹	0.25 ¹	0.05	0.07
Max. Optical Power (CW)	mW	500			
Max. Tensile Load	N	5			
Fiber Type		SMF-28e Fiber			
Operating Temperature	°C	-5 to +70			
Storage Temperature	°C	-40 to +85			

¹PMD<0.05ps is available. Please refer to below ordering information.

*Above specifications are for device without connector.

*For devices with connectors, IL will be 0.3dB higher and RL will be 5dB lower.

Package Dimensions



Ordering Information

P11-①①-②-③-④-⑤⑤-⑥⑥-⑦

①①: Wavelength

31 - 1310nm
48 - 1480nm
55 - 1550nm
SS - Specify

②: Grade

P - Premium Grade
A - A Grade

③: Stage

S - Single Stage
D - Dual Stage

④: PMD

1 - 0.05ps Max.
2 - Refer to above Spec.

⑤⑤: Connector Type on Port 1 & 2

1 - FC/UPC
2 - FC/APC
3 - SC/UPC
4 - SC/APC
N - None
S - Specify

⑥⑥: Fiber Jacket on Port 1 & 2

B - 250um Bare Fiber
L - 900um Loose Tube
T - 900um Tight Buffer Fiber
C - 3mm Cable
S - Specify

⑦: Fiber Length

1 - 1.0m
S - Specify