

850nm High Power Polarization Insensitive Isolator



Features

Low Insertion Loss
High Isolation
High Power Handling
High Return Loss

Applications

Fiber Laser
Instrumentation
Fiber Amplifier
Lab Research

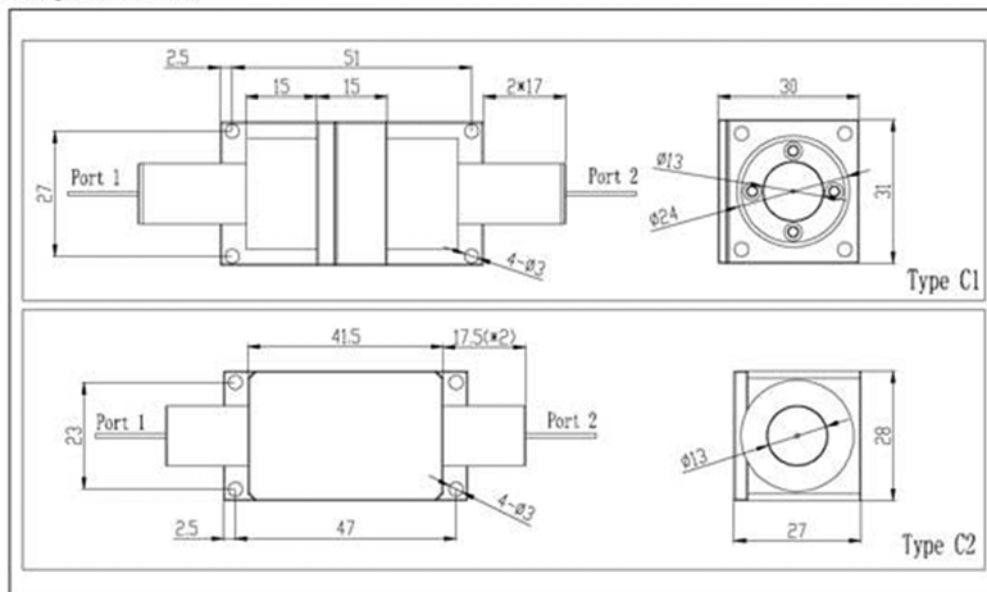
Specifications

Parameters	Unit	Values	
		Grade P	Grade A
Grade		Grade P	Grade A
Center Wavelength (λc)	nm	850	
Operating Wavelength Range	nm	±10	
Max. PDL at 23°C	dB	0.1	0.15
Typ. Peak Isolation	dB	30-35	28-32
Min. Isolation at 23°C	dB	23	22
Typ. Insertion Loss at 23°C	dB	0.8	1.0
Max. Insertion Loss at 23°C	dB	1.2	1.4
Min. Return Loss (input/output)	dB	50/50	45/45
Max. Optical Power (CW)	mW	500	
Max. Tensile Load	N	5	
Fiber Type		HI 780 Fiber	
Operating Temperature	°C	0 to +60	
Storage Temperature	°C	-20 to +75	

*Above specifications are for device without cor

*For devices with connectors, IL will be 0.3dB higher, RL will be 5dB lower.

Package Dimensions



Ordering Information

HPII-①①-②-③-④④-⑤⑤-⑥

①①: Wavelength
85 - 850nm
SS - Specify

②: Package Type
C1 - Type C1
C2 - Type C2

③: Grade
P - Premium Grade
A - A Grade

④④: Connector Type on Port 1 & 2
1 - FC/UPC
2 - FC/APC
3 - SC/UPC
4 - SC/APC
N - None
S - Specify

⑤⑤: Fiber Jacket on Port 1 & 2
B - 250um Bare Fiber
L - 900um Loose Tube
C - 3mm Loose Cable
S - Specify

⑥: Fiber Length
1 - 1.0m
S - Specify