



2x2 1064nm Polarization Maintaining Optical Circulator

Features

High Extinction Ratio
 Low Insertion Loss
 High Isolation
 Excellent Environmental Stability

Applications

Polarization Mode Dispersion Compensator
 EDFA & Raman Amplifier
 Coherent Telecommunication Systems
 Fiber Optic Sensor

Specifications

Parameter	Unit	Values
Center Wavelength	nm	1064
Operating Wavelength Range	nm	±5
Typ. Insertion Loss at 23°C	dB	2.1
Max. Insertion Loss at 23°C	dB	2.3
Typ. Insertion Loss at -5 to +50°C	dB	2.6
Max. Insertion Loss at -5 to +50°C	dB	2.8
Typ. Isolation at 23°C	dB	35
Min. Isolation at 23°C	dB	28
Typ. Isolation at -5 to +50°C	dB	25
Min. Isolation at -5 to +50°C	dB	20
Min. Return Loss	dB	50
Min. Extinction Ratio	dB	20
Min. Cross Talk	dB	50
Max. Optical Power (CW, total)	mW	300
Max. Tensile Load	N	5
Fiber Type		PM 980 Panda Fiber
Operating Temperature	°C	-5 to + 50
Storage Temperature	°C	-40 to +85

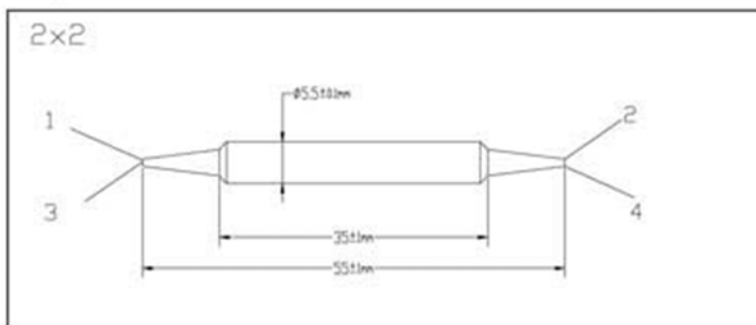
*Above specifications are for device without connector.

*The optical path is 1->2, 2->3, 3->4, 4->1.

*For devices with connectors, IL will be 0.3dB higher, RL will be 5dB lower, and ER will be 2dB lower.

*The PM fiber and the key are aligned to the slow axis and fast axis blocked.

Package Dimensions



Ordering Information

PM CIR-①①-②-③③③③-④④④④

①①: Wavelength

06 - 1064nm

SS - Specify

②: Port

2 - 2x2

③③③③: Connector Type on Port 1, 2, 3 & 4

1 - FC/UPC

2 - FC/APC

3 - SC/UPC

4 - SC/APC

N - None

S - Specify

④④④④: Fiber Jacket on Port 1, 2, 3 & 4

B - 250um Panda Fiber

D - 400um Panda Fiber

L - 900um loose tube Panda Fiber

S - Specify

④: Fiber Length

0.8 - 0.8m

S - Specify