

Polarization Maintaining Filter Coupler (2x2)



Features

High Extinction Ratio
High Return Loss
Low Cost

Applications

Telecommunications
Optical Amplifier
Fiber Lasers
Testing Systems

Specifications

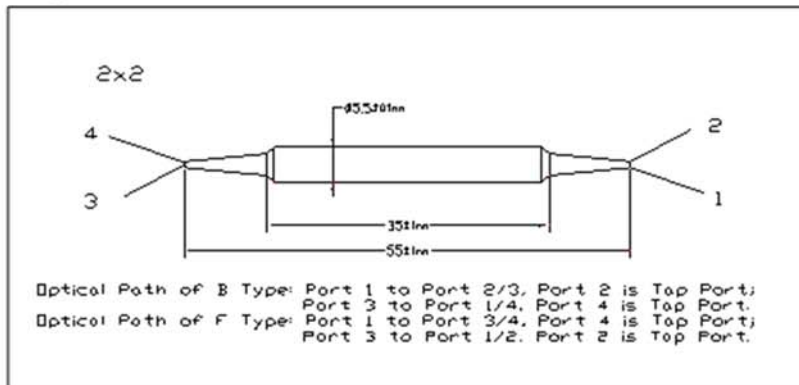
Parameters	Unit	Values
Center Wavelength	nm	1030
Operating Wavelength Range	nm	± 20
Coupling Ratio (for Port 2 & 4 only)	%	1±0.2, 2±0.4, 5±1.0, 10±2.0 & 50 or Specify
Min. Return Loss	dB	50
Min. Extinction Ratio	dB	20
Max. Excess Loss	dB	1.3
Max. Uniformity (for 50/50 only)	dB	0.8
Max. Optical Power (CW)	mW	500
Max. Tensile Load	N	5
Fiber Type		PM 980 Panda Fiber or HI 1060 Fiber on Tap Port (Port 2 & 4) PM 980 Panda Fiber on Input & Output Port (Port 1 & 3)
Operating Temperature	°C	-5 to +70
Storage Temperature	°C	-40 to +85

*Above specification are for devices without connector.

*For devices with connectors, IL will be 0.3dB higher, RL will be 5dB lower, ER will be 2dB lower.

*The PM fiber and the connector key are aligned to the slow axis.

Package Dimensions



Ordering Information

PMFCH-①①-②-③③-④-⑤⑤⑤⑤-⑥⑥⑥⑥-⑦-⑧

①①: Wavelength

03 - 1030nm

SS - Specify

④: Axis Alignment

F - Fast Axis Blocked

B - Both Axis Working

⑥⑥⑥⑥: Fiber Jacket on Port 1, 2, 3 & 4

B - 250um Panda Fiber

L - 900um Loose Tube

S - Specify

②: Port

2 - 2x2

⑤⑤⑤⑤: Connector Type on Port 1, 2, 3 & 4

1 - FC/UPC

2 - FC/APC

3 - SC/UPC

4 - SC/APC

N - None

S - Specify

⑦: Fiber Type on Tap Port

H - HI 1060 Fiber

P - PM Panda Fiber

S - Specify

③③: Coupling Ratio

01 - 1/99

02 - 2/98

05 - 5/95

10 - 10/90

50 - 50/50

SS - Specify

⑧: Fiber Length

0.8 - 0.8m

S - Specify